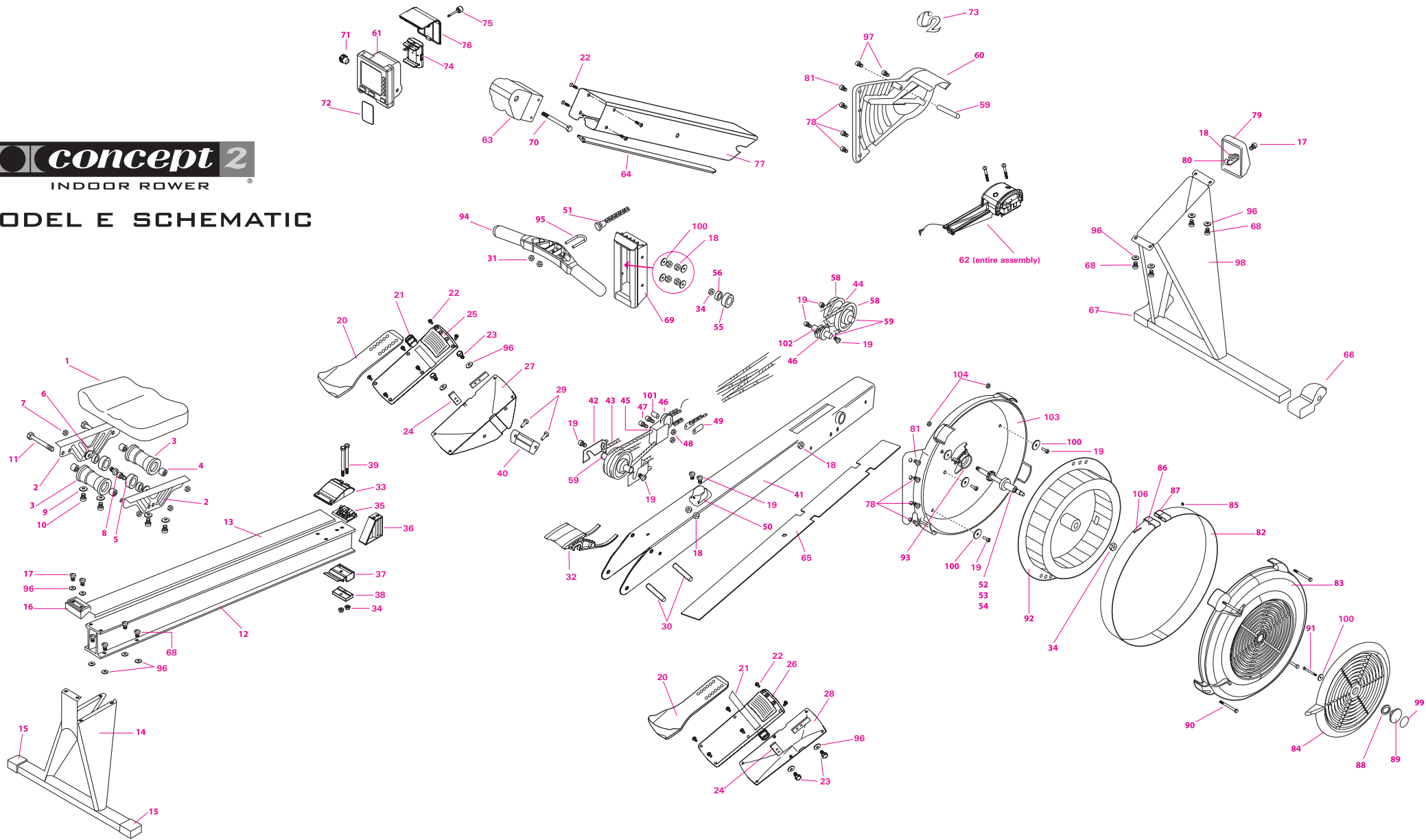




MODEL E SCHEMATIC



ID#	PN	Description
1	1929	Seat Top w/screws
2	1138	Seat Carriage Left
	1137	Seat Carriage Right
3	1724	Top Roller x2
4	1302	Seat Spacer (see 107/108)
5	1725	Bottom Roller x2
6	125	Seat Roller Washer (see 107/108)
7	1209	Seat Roller Nut (see 107/108)
8	1208	Bottom Seat Roller Axle (see 108)
9	1246	Seat Top Lock Washer (see 1)
10	1207	Seat Top Screw (see 1)
11	1211	Top Seat Roller Axle (see 108)
12	1955	Monorail with Track Assembly
13	1762	Track/Tape Assembly w/Rivet
14	1971	Rear Leg with Feet
15	1044	Rear Foot D/E x2
16	1008	Rear Bumper
17	1248	3/4" Buttonhead Screw
18	1213	Nut
19	1231	1/2" Buttonhead Screw
20	1063	Flexfoot Grey D/E
21	1517	Footstrap with Buckle (one per side)
22	1241	Footstretcher Cover Screw (6 per side)
23	1243	Footstretcher Belly Screw (2 per side)
24	1139	Reinforcing Bracket (2 per side)
25	1055	Left Foot Stretcher Cover
26	1054	Right Foot Stretcher Cover
27	1057	Left Footstretcher Belly
28	1056	Right Footstretcher Belly
29	1242	Compression Member Screw
30	1101	Hanger Shaft Threaded
31	1235	1/4" Nylock Nut
32	1041	Framelock Mouse
33	1038	Plastic Upper Hanger
34	1244	Nut
35	1153	Die Cast Upper Hanger
36	1062	Monorail Bolt Support
37	1039	Plastic Lower Hanger
38	1154	Die Cast Lower Hanger
39	1204	Monorail Bolt
40	1037	Compression Member
41	1140	Box Frame E
42	1104	SCAM
43	1731	Shock Cord
44	1310	Shock Cord Pulley Spacer
45	1756	Travelling Pulley Assy
46	1024	Chain Idler Pulley
47	1206	Travelling Pulley Screws
48	1249	Travelling Pulley Nut
49	285	Chain Connector Small (see 51)
50	1754	Handle Hook w/ screws & nuts
51	1941	Nickel Plated Chain w/connector & swivel
52	1165	Flywheel Axle
53	1163	14 Tooth Sprocket
54	1300	17mm Bearing
55	1013	R8 Bearing Cup
56	232	R8 Bearing
58	1011	Shock Cord Pulley
59	1130	Shock Cord Pulley Axle
60	1938	Chain Housing with C2 Emblem
61	1876	PM4 Monitor
62	1887	Monitor Sensor/Generator Assembly
63	1068	Monitor Mount
64	1555	Monitor Arm Cover
65	1526	Return Mechanism Cover
66	1059	Right Footcaster
67	1060	Left Footcaster
68	1253	5/8" Buttonhead screw
69	1003	Chain Guide
70	1268	Monitor Bolt (short)
71	1284	Knob Monitor Mount
72	1810	Logcard with Sleeve
73	1552	C2 Nameplate Emblem
74	1493	PM4 Rechargeable Battery Pack
75	1290	Battery Door Thumbscrew
76	1456	Battery Cover PM3/4
77	1142	Monitor Arm Model E
78	1247	Chain Housing Screws x3
79	1009	Arm End Cap
80	1131	Arm End Cap Hook
81	1233	Button Screw
82	1912	Outlet Perf with Connectors
83	1944	Fan Cover Assy E
84	1061	Damper Lever D2/E
85	1275	Outlet Perf Nut
86	1035	Perf Connector Screw Side (inc w/ 82)
87	1036	Perf Connector Nut Side (inc w/82)
88	1278	Wave Washer
89	1067	Hub Cap Model D2 / E
90	1276	Flywheel Cover Screw (x4)
91	1273	Damper Lever Screw
92	2940	Flywheel Assembly (machine made 10/30/06 or later)
93	1012	17mm Bearing Cup
94	1042	Handle
95	244	Handle U-Bolt
96	1205	Lock Washers (x10)
97	1250	Monitor Arm Screw x2
98	1972	Front Leg and Foot with Caster E
99	1534	C2 Hub Cap Label
100	1232	Fender Washer
101	1303	Traveling Pulley Spacer
102	1305	Chain Idler Pulley Spacer
103	1066	Flywheel Cover (back)
104	327	Damper Panel Nut
106	1274	Perf Outlet Connector Screw
107	1727	Top Seat Roller Hardware
108	1732	Bottom Seat Roller Hardware