

TOOLS

*not included

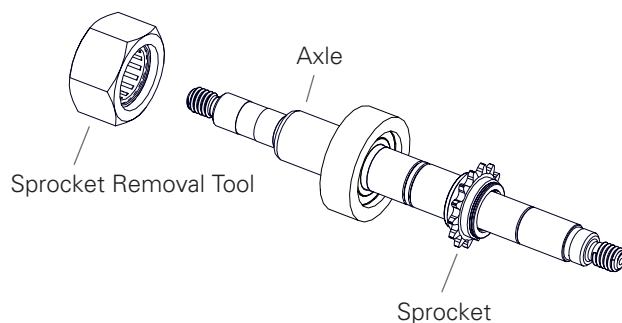
- Large wrench
- Slip Joint Pliers

PARTS

Sprocket Removal Tool (PN 7071)

PROCEDURE

- 1 Slide the Sprocket Removal Tool onto the axle with the flush-side of the tool facing the sprocket.



- 2 Using the pliers on the sprocket, unscrew the sprocket from the axle.

