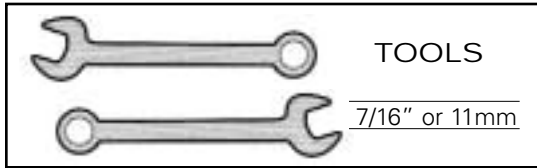


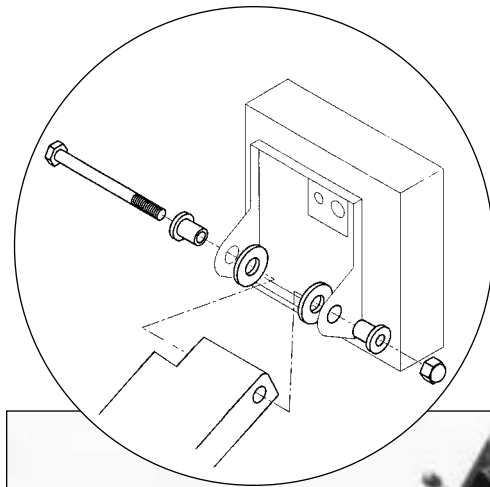
PM2 RETROFIT FOR MODEL C



concept 2
ROWING

MORRISVILLE, VERMONT USA WWW.CONCEPT2.COM

Use Concept2 part #1757



Replace with
PN 1757

