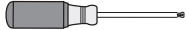


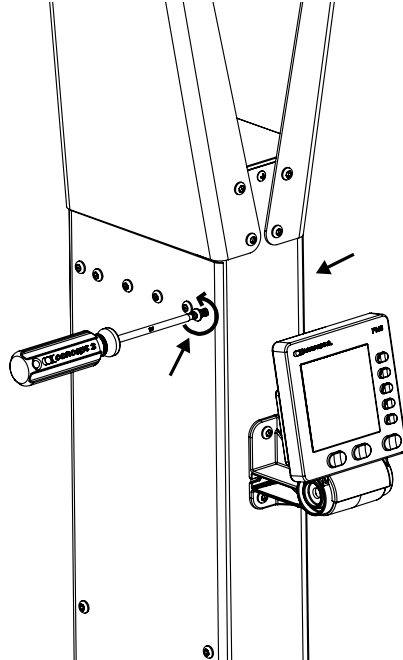
Installing SkiErg Handle Hooks

Materials Needed



T27 6-lobe driver

- 1 Remove and discard the fastener from both sides of the SkiErg.



- 2 Using the new 1/2" (1.27 cm) fasteners (PN 1299), install the SkiErg handle hooks on both sides as shown.

