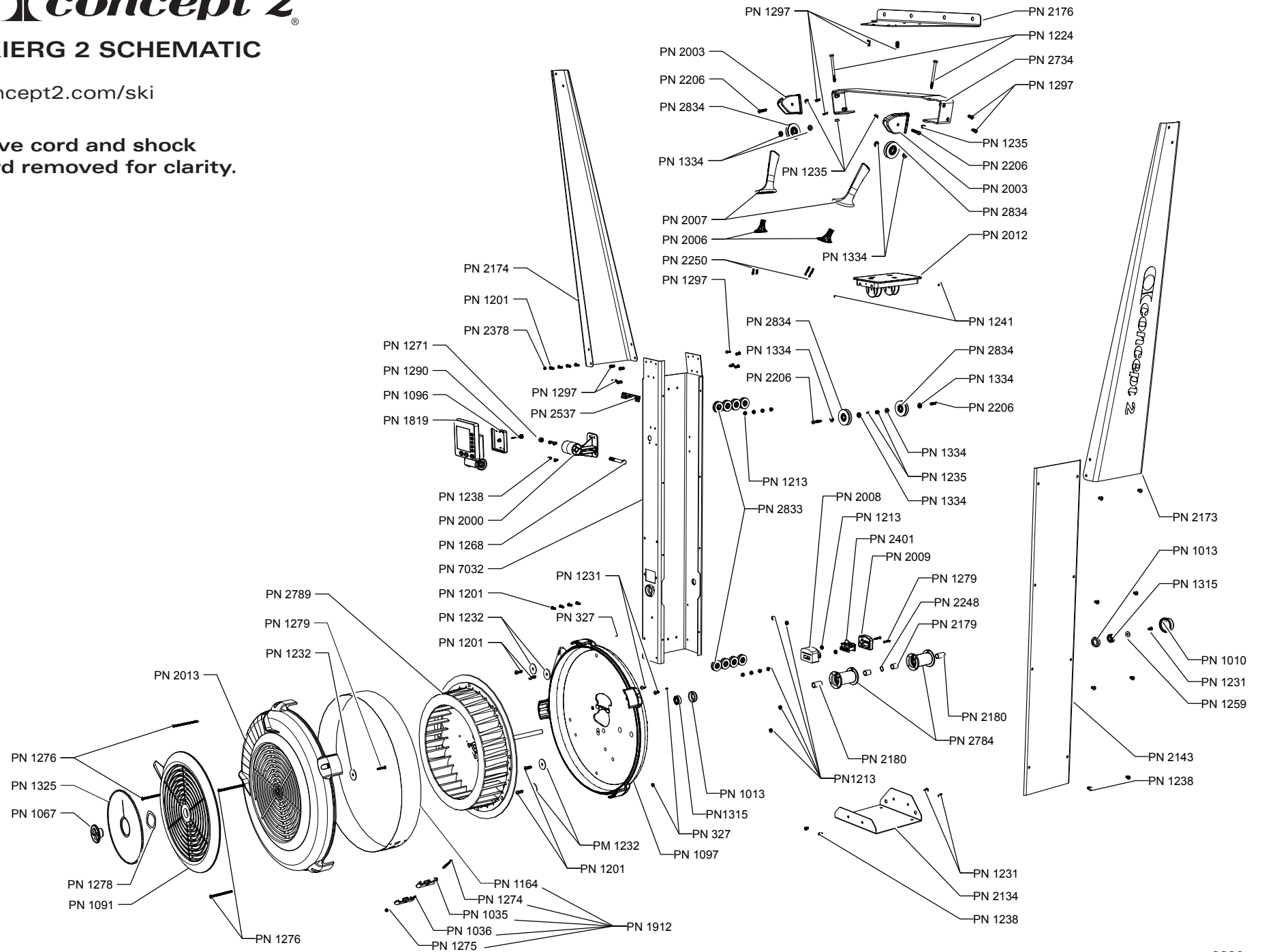


SKIERG 2 SCHEMATIC

concept2.com/ski

Drive cord and shock cord removed for clarity.





SKIERG 2 SCHEMATIC

concept2.com/ski

SkiErg Schematic Part Identification List

PN	Description
327	NUT 10-24 SS
1010	BEARING COVER
1013	R8 BEARING CUP
1029	PM5 BATTERY DOOR
1035	PERF CONNECTOR SCREW SIDE
1036	PERF CONNECTOR NUT SIDE
1067	HUB CAP
1091	FLYWHEEL DAMPER BLACK
1097	FLYWHEEL COVER BACK SE2
1201	6-LOBE T-27 1/4-20 X 3/4 SS PATCHED
1213	NUT 1/4-20 ZP
1224	SCREW 1/4-20 X 3.25 SS
1231	6-LOBE T-27 1/4-20 X 1/2 SS PATCHED
1232	1/4 X 1-1/4 FENDER WASHER
1235	1/4-20 SS NYLOK NUT
1238	6-LOBE T-27 1/4-20 X 3/8 SS PATCHED
1241	#10 X 12" PHILIPS SCREW SS
1259	BLACK WASHER FOR 1/4" SCREW - 3/4" OD
1268	3/8-16 X 3" HEX HEAD FASTENER
1271	3/8-16 HEX NUT
1274	6-32 X 2 PHILIPS PAN HEAD MACHINE SCREW SS
1275	6-32 HEX NUT SS
1276	10-24 X 3 PHILLIPS PAN HEAD MACHINE SCREW SS
1278	WAVE WASHER
1279	#8 X 1" PHILLIPS HEAD TAPPING SCREW SS
1297	6-LOBE T-27 1/4-20 X 5/8 SS PATCHED
1315	12MM BEARING
1325	DAMPER RING

PN	Description
1334	FLANGED 12MM BEARING SPACER
1912	SS FLYWHEEL OUTLET PERF
1819	PM5 SKIERG
2000	MONITOR ARM SE2
2003	TOP PULLEY SWIVEL HOUSING SE2
2006	SKIERG OVERMOLDED HANDLE END PLUG
2007	SKIERG OVERMOLDED HANDLE
2008	GENERATOR BASE SE2
2009	GENERATOR HOUSING COVER SE2
2012	FRAME CAP SE2
2013	FLYWHEEL COVER FRONT SE2
2134	BOTTOM BRACKET SE2
2143	RIGHT SIDE PANEL SE2
2173	RIGHT ARM SE2
2174	LEFT ARM SE2
2176	UNIVERSAL MOUNTING BRACKET SE2
2179	SHORT 12MM SPACER SE2
2180	LONG 12MM SPACER SE2
2206	6-LOBE T-27 1/4-20 X 1-1/4 SS
2248	WAVE WASHER
2250	HANDLE SCREWS 4 x 1" SS
2378	HANDLE HOOK PLUG
2401	SENSOR COIL
2537	DECAL
2734	BRACKET TOP WITH RIVNUTS SE2
2784	SPOOL ASSEMBLY WITH CLUTCHES SE2
2789	BALANCED FLYWHEEL ASSEMBLY SE2
2833	SHOCK CORD PULLEY SE2
2834	TOP PULLEY SE2
7032	SKIERG BOX FRAME