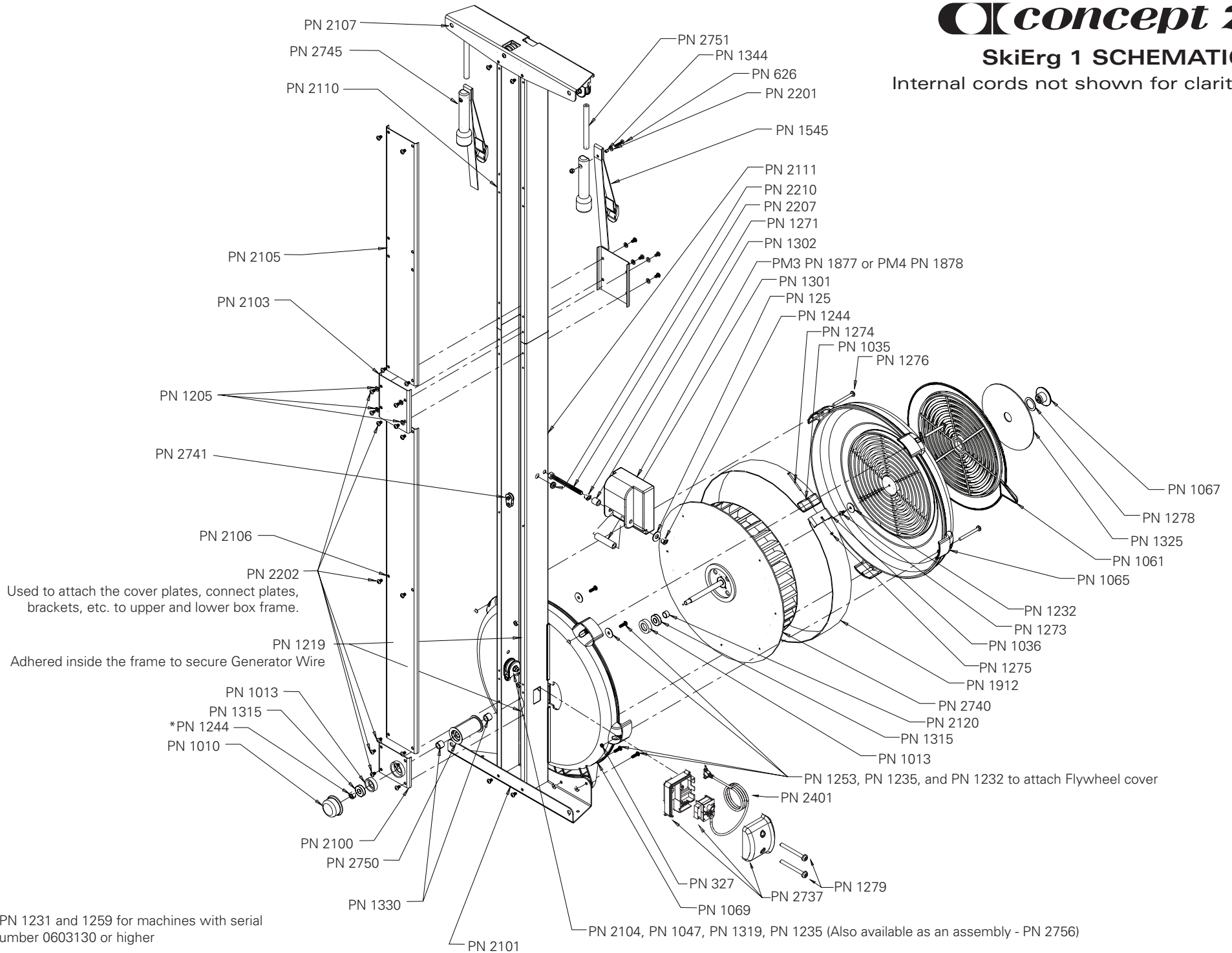


SkiErg 1 SCHEMATIC

Internal cords not shown for clarity



*PN 1231 and 1259 for machines with serial number 0603130 or higher

SkiErg Part Identification List

PN	Description
125	Monitor Washer 3/8"
327	#10 Flywheel Cover Nut (4)
626	#10 SS Screw (2)
1010	Bearing Cover
1013	Rubber Bearing Cup (2)
1035	Perf Connector Screw Side
1036	Perf Connector Nut Side
1047	Modified Swivel Pulley Housing (1)
1061	Damper
1065	Flywheel Cover - Front
1067	Damper Hub Cap
1069	Flywheel Cover - Back
1205	1/4 Lock Washer
1219	J-Clips (3) adhered inside the frame to secure generator wire
1231	6-Lobe Screw 1/4-20 x 1/2"
1232	Fender Washer (3)
1235	1/4" Nylock Nut (4)
1244	Nylock Nut 3/8"
1253	1/4 x 5/8 Button Head (4)
1259	Washer for 1/4" Screw, Black 3/4
1271	Monitor Nut 3/8"
1273	#10 x 3/4" Screw (1)
1274	6" x 2" Perf Screw
1275	#6 Perf Nut
1276	#10 x 3" Flywheel Cover Screw (4)
1278	Wave Washer
1279	#8x1" Panhead Phillips Screw
1301	Long Monitor Spacer
1302	Short Monitor Spacer
1315	12mm Ball Bearing (2)
1319	Small Flanged Spacer (2)
1344	Spacer (4)

PN	Description
1325	Damper Ring
1330	14mm Drive Spool Spacers (2)
1545	Handle Strap w/buckle (2)
1877	PM3
1878	PM4
1912	Outlet Perf with Connectors and Screw Assembly
2100	Bearing Mount Plate
2101	Bottom Bracket
2103	Frame Connector Plates (2)
2104	Shock Cord Pulley w/Bearing (1)
2105	Upper Frame Cover
2106	Lower Frame Cover
2107	Top Bracket
2110	Upper Box Frame
2111	Lower Box Frame
2120	Small Axle Spacer
2201	#10 SS Washer (2)
2202	1/4 x 5/16 Button Head (28) used to attach cover plates, connect plates, brackets, etc. to upper and lower box frame.
2207	Monitor Pivot Screw 3/8 x 4"
2210	Rubber Grommet
2401	Sensor Coil
2737	Generator Assembly (includes PN 2401, screws and housing parts)
2740	Flywheel/Axle Assembly
2741	Traveling Pulley Assembly
2745	Handle (2) - includes handle and nut
2750	Drive Spool Assembly w/ Clutches and Bearings
2751	Handle Bumper (2)